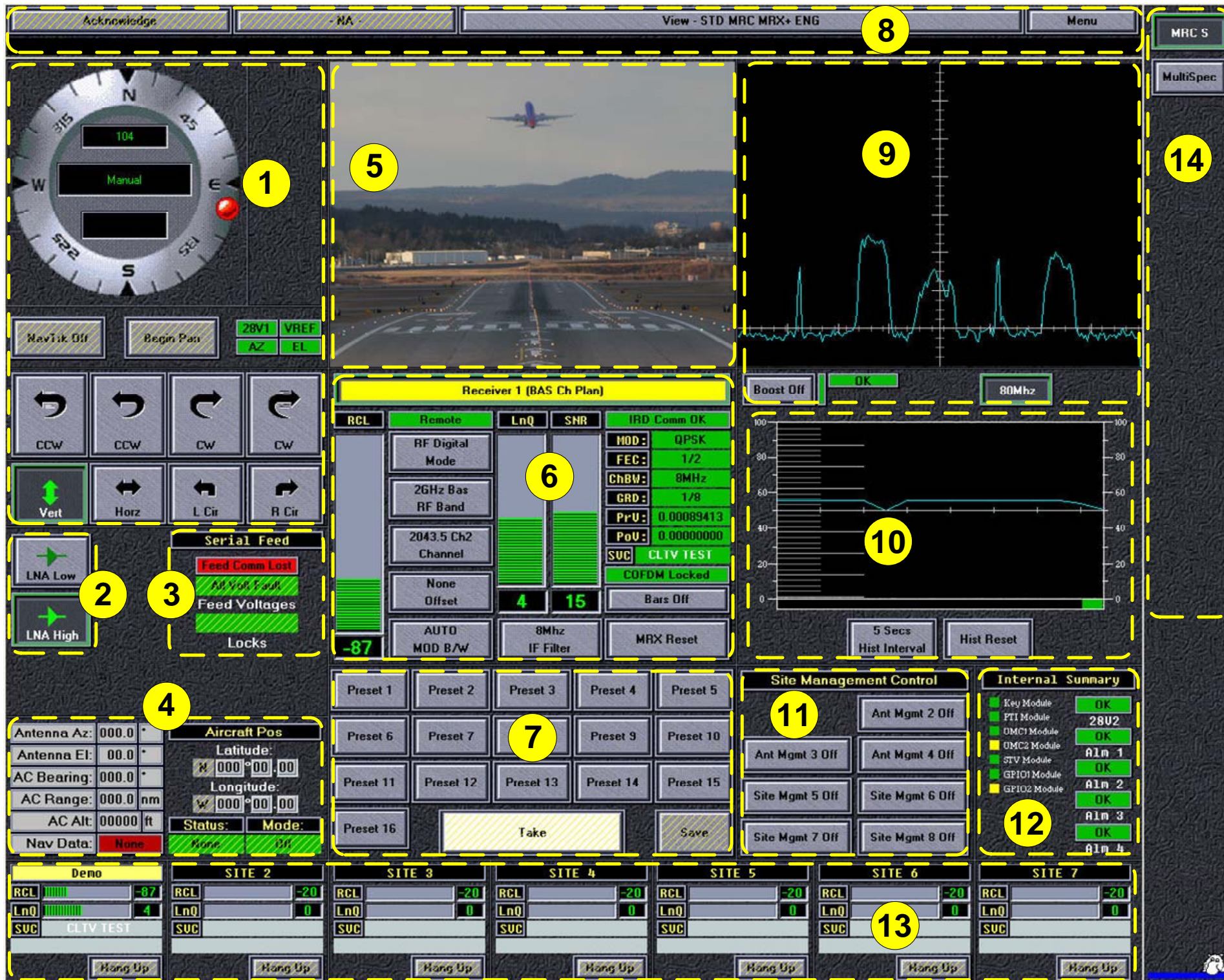


Central Receive System Quick Reference Card – Side A

Functional Regions of the TouchStar Control Panel
(Located at the studio/command center)



No.	Region of Control Panel	Page*
1	Antenna steering, polarization, NavTrack On/Off	3-10
2	Low noise amplifier (LNA)	3-13
3	Serial feed antenna display (optional)	3-13
4	NavTrack monitor (automatic tracking option)	3-13
5	Real-time video monitor (live video)	3-14
6	Receiver (RX) controls and indicators	3-14
7	Presets	3-29
8	Main menu and status bar	3-27
9	Spectrum viewer (option)	3-22
10	Link Quality Histogram	3-24
11	Slave site management controls	3-25
12	Slave controller indicators	3-25
13	Receive site monitors	3-26
14	Screen selectors (site selectors, multi-spectrum, video switch)	3-26

* Page in *MRC Central Receive System Operator's Guide*

Notes on Graphical User Interface Features

During testing of your configuration, MRC determines the location of features based on the actual components in the configuration.

Some features (like the optional antenna tilt control in region 1) may not be present and others may appear hashed (inactive).



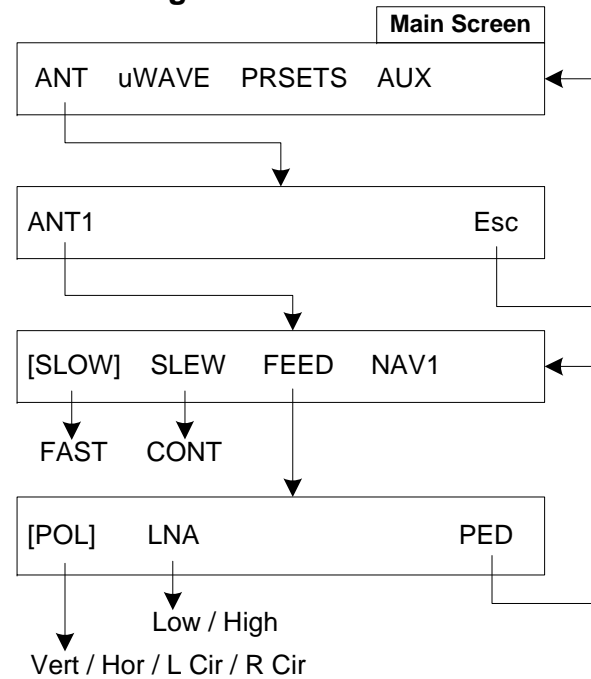
About This Card

Part number 400530-1 Rev. A March 2008
© 2008 Microwave Radio Communications

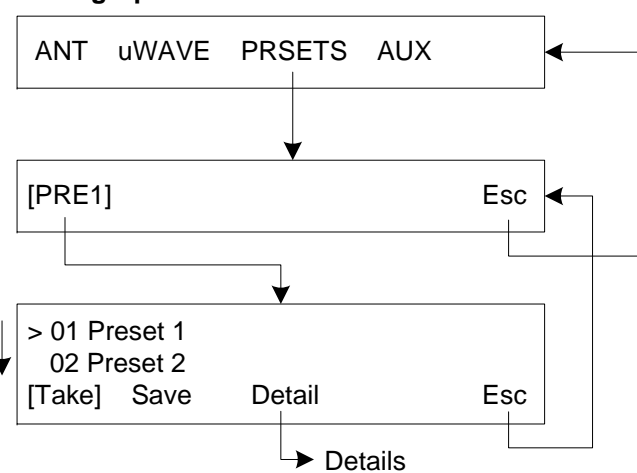
Central Receive System Quick Reference Card – Side B

S750 Slave Controller – Menu Map (Located at each receive site)

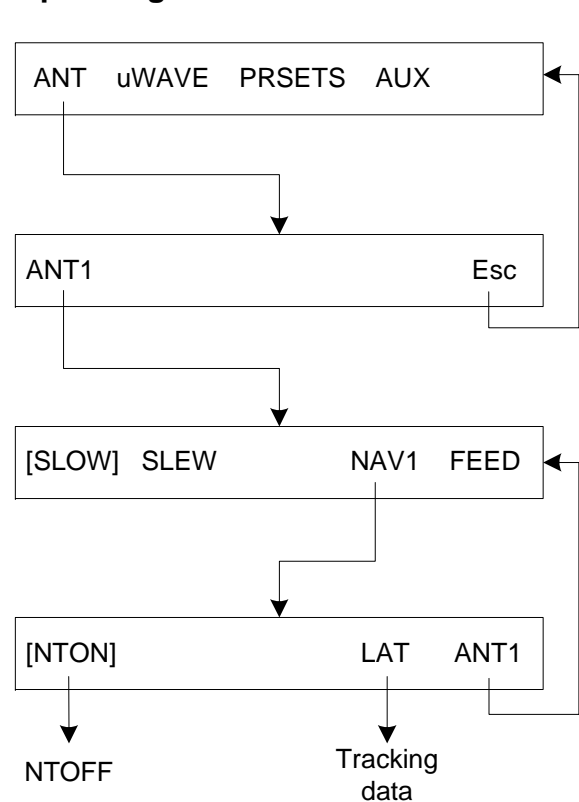
Controlling an Antenna



Setting Up a Preset

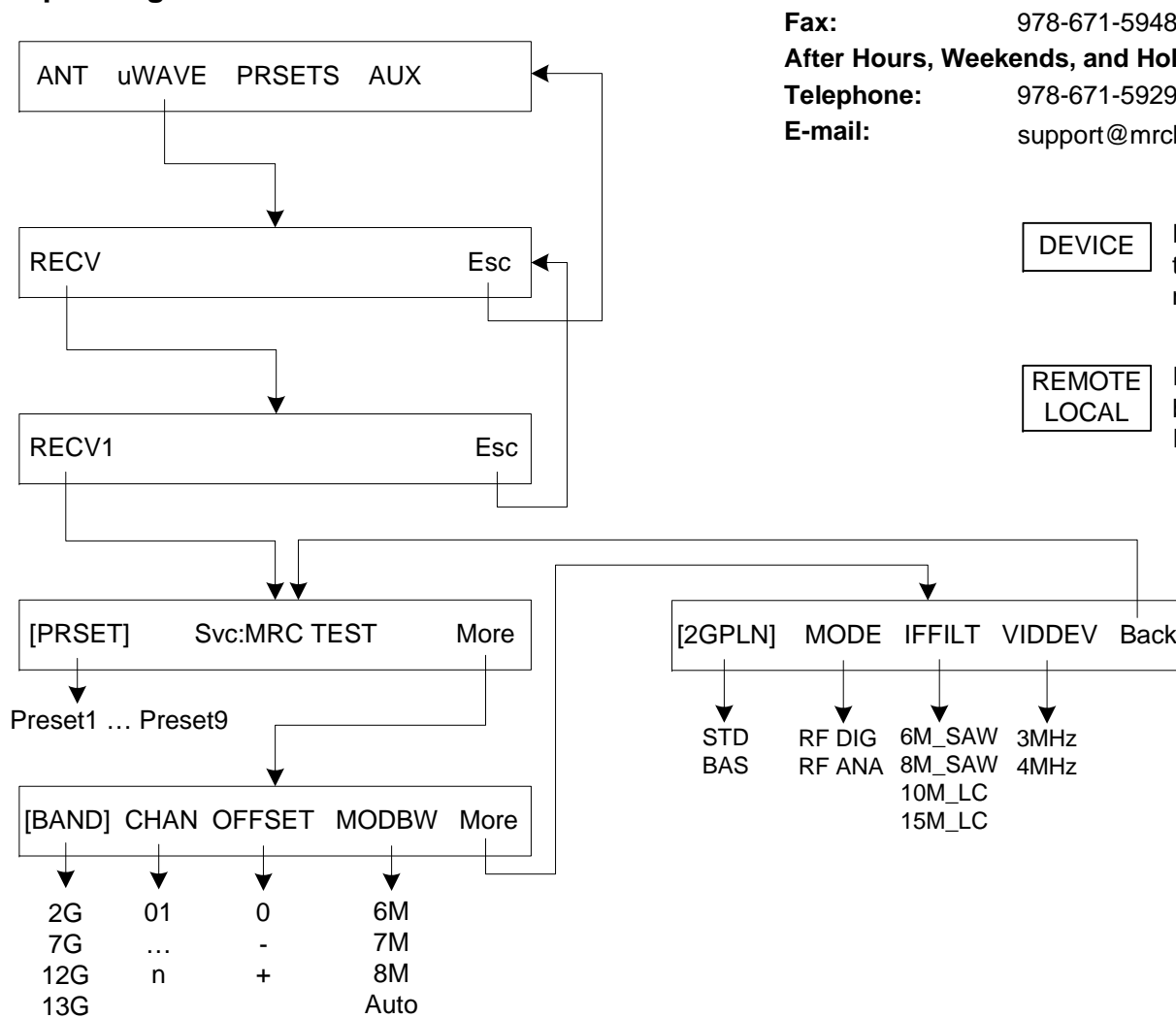


Operating NavTrack



Note: Menu maps show generic functions. Actual functions will differ depending on components installed in your configuration.

Operating an MRX4000 Plus



Calling for Service

Business Hours: Monday – Friday
8:00 AM - 7:00PM Eastern Time (US)
(0800 - 1900 hrs US ET)

Telephone: 800-490-5700 (Press 4)
978-671-5700 (Press 4)

Fax: 978-671-5948

After Hours, Weekends, and Holidays:
Telephone: 978-671-5929
E-mail: support@mrcbroadcast.com

DEVICE Press this key at any time to return to the main screen.

REMOTE LOCAL Press this key to switch between LOCAL and REMOTE control.

