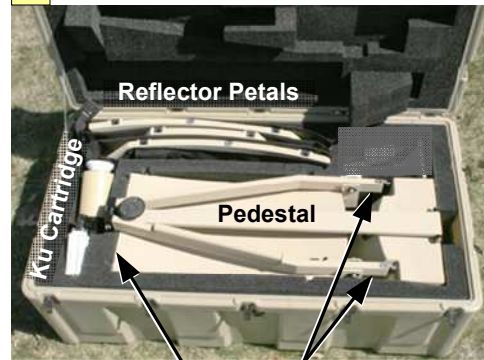


# Summit Portable, Autopointing, Satellite Terminal – Quick Reference Card

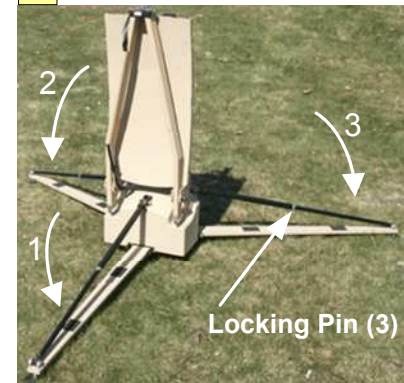
## Deploying the Antenna with Ku Cartridge

1 Open the case, remove pedestal



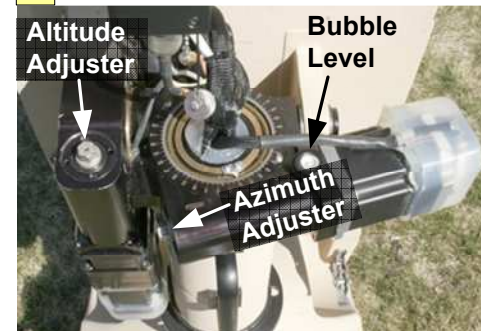
Lift points:  
Top edge of reflector and feed arm ends

2 Extend and lock the legs



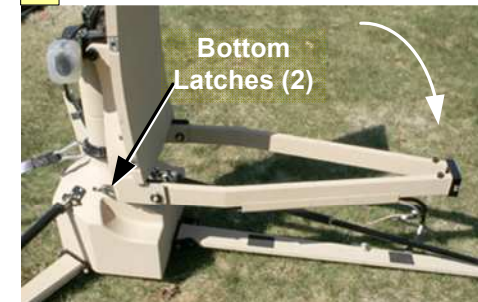
Tilt pedestal and push down on each leg until it locks

3 Level the pedestal



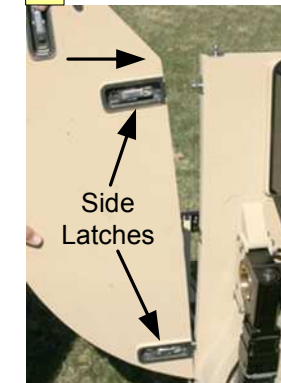
Shim each leg as needed. Adjuster nuts (7/16 in.) are for manual motion only.

4 Lower the feed arm

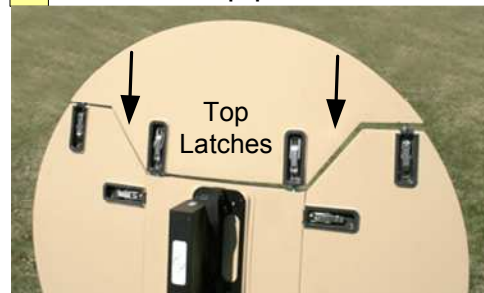


Fasten the bottom latches

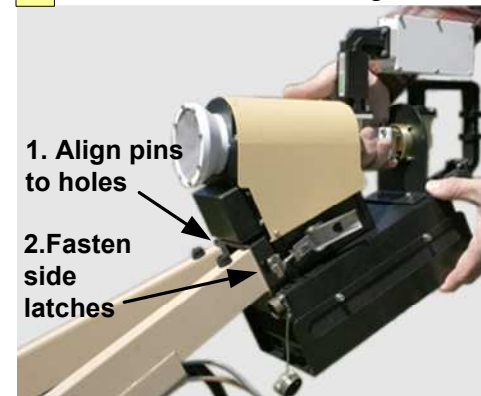
5 Install the side petals



6 Install the top petal

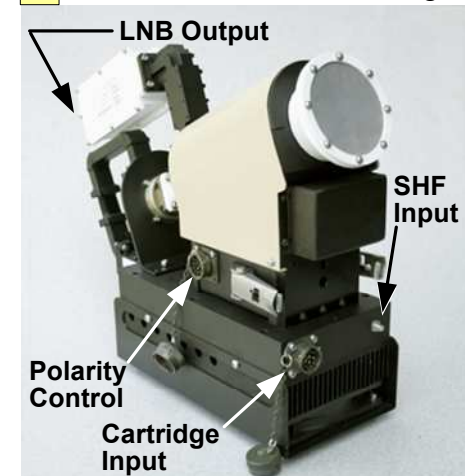


7 Install the feed cartridge



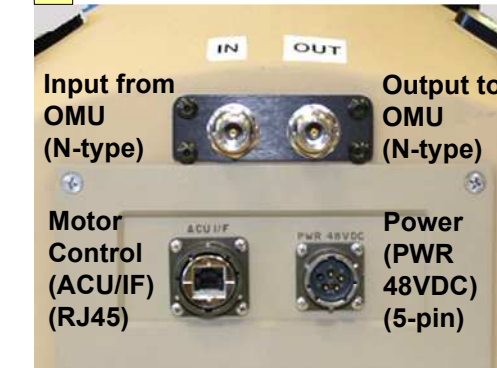
At end of feed arm

8 Connect cables to cartridge



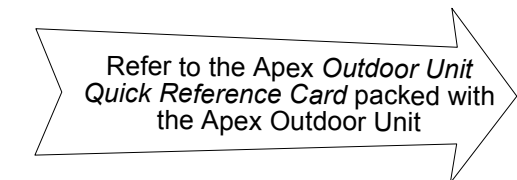
(Shown uninstalled to identify connectors.)  
Next fasten bottom feed arm latches.

9 Connect IFL cables to pedestal

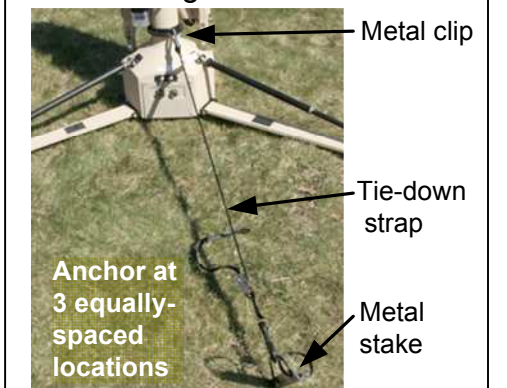


OMU = Outdoor Model Unit

10 Connect antenna pedestal to Apex Outdoor Unit



**Note:** Anchor the pedestal after locking onto satellite

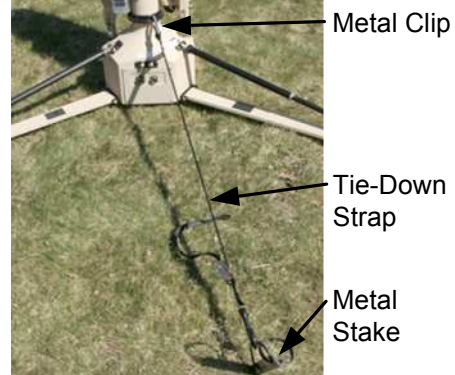


Only if needed

# Summit Portable, Autopointing, Satellite Terminal Quick Reference Card

## Stowing the Antenna

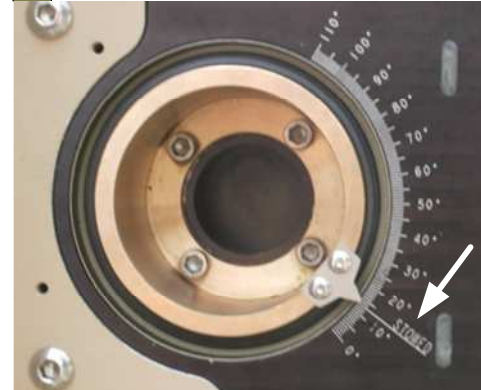
1 Remove and stow straps and stakes (if used)



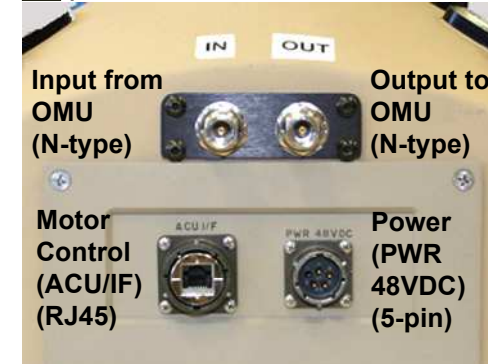
2 Verify azimuth indicator is at 0 degrees



3 Verify altitude indicator is at **STOWED** marker

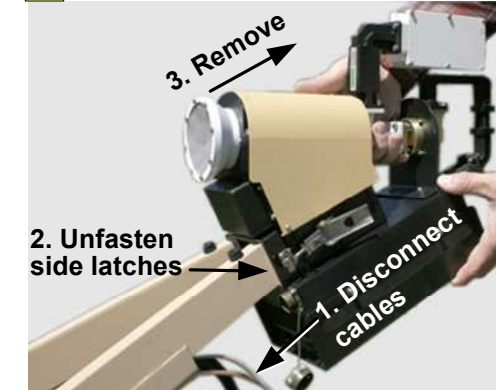


4 Disconnect IFL cables from pedestal and stow cables

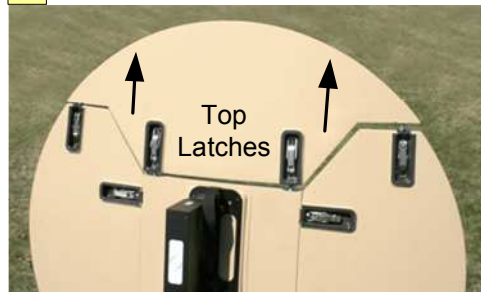


OMU = Outdoor Model Unit

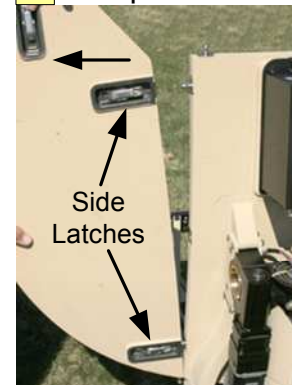
5 Remove and stow feed cartridge



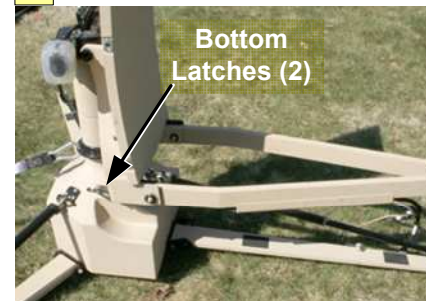
6 Remove and stow top petal



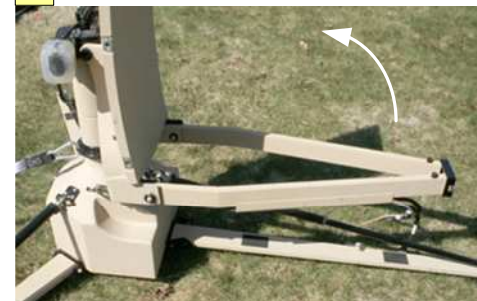
7 Remove and stow side petals



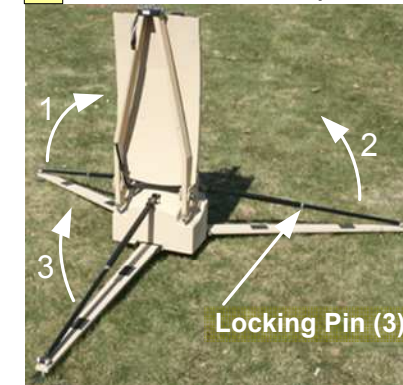
8 Unlatch the feed arm



9 Raise the feed arm fully

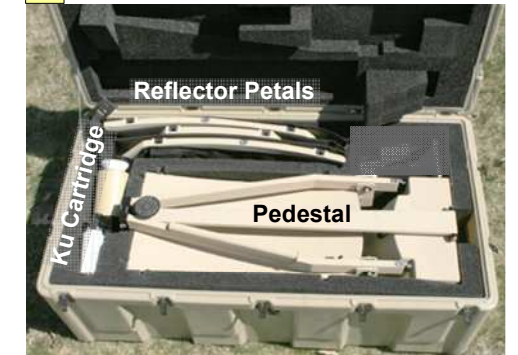


10 Unlock and fold up the legs



Tilt pedestal while pressing locking pin on leg

11 Stow antenna components



Close lid, fasten all side latches



### Calling for Service

**Business Hours:** Monday – Friday  
8:00 AM - 7:00PM Eastern Time (US)  
(0800 - 1900 hrs US ET)

**Telephone:** 800.490.5700 (Press 4)  
+1.978.671.5700 (Press 4)

**After Hours, Weekends, and Holidays:**

**Telephone:** +1.978.671.5929  
**E-mail:** [technicalsupport@mrcbroadcast.com](mailto:technicalsupport@mrcbroadcast.com)

© 2008 Microwave Radio Communications